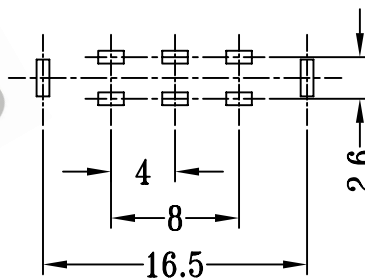
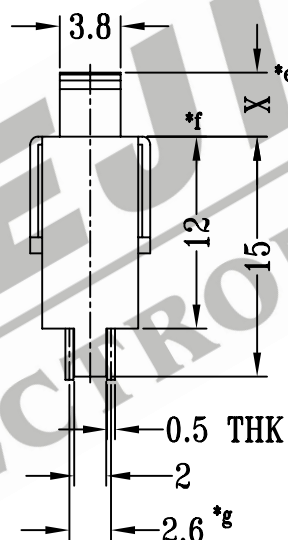
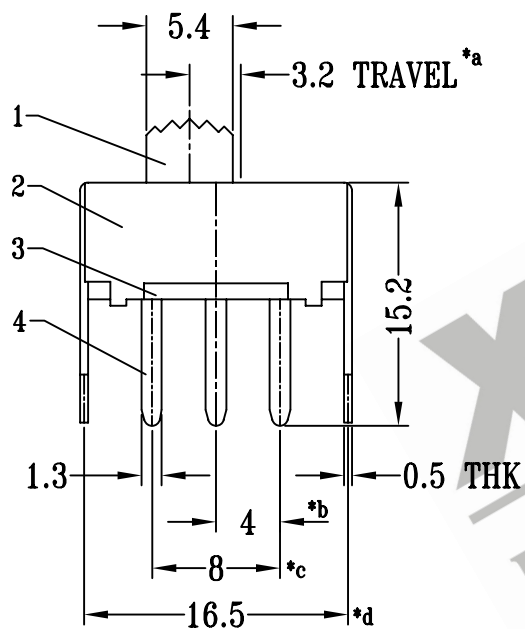
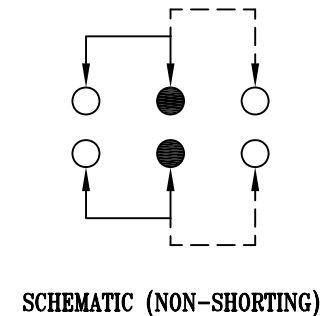
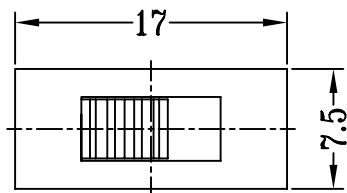


CAD FILE:



**P.C.B LAYOUT**

注:带"\*"表示关键尺寸(7个)

					TOLERANCE UNLESS SPECIFIED	SHENZHEN XIEJIA ELECTRONICS CO.,LTD.				
					WITHIN: 1.5±0.1mm	ISSUE	DATE	DESCRIPTIONS		APPD.
					OVER : 1.5±0.2mm			DRWG NO.: XJ-DR-SS22F48-00		
8										
7										
6	SPRING	STEEL WIRE	2	TEMPER						
5	CONTACT CLIP	BRASS STRIP	2	Ag PLATED						
4	TERMINAL	BRASS STRIP	6	Ag PLATED OVER Ni PLATED	TITLE : VERTICAL SLIDE SWITCH	UNIT : MM		DRWG NO.: XJ-DR-SS22F48-00		
3	BASE	PHENOLIC RESIN	1	BLACK	MODEL: SS-22F48	SCALE: 2 : 1		DWN.	ZHOUYU	2004-9-5
2	FRAME	STEEL STRIP	1	Ni PLATED				CHK'D	FANGYING	2004-9-5
1	KNOB	POM	1	BLACK	ALL MATERIALS MUST BE COMPLIANT TO ROHS			APPD.	KANGXINAN	2004-9-5
NO.	PART NAME	MATERIAL	Q'TY	FINISHING				APPD.		